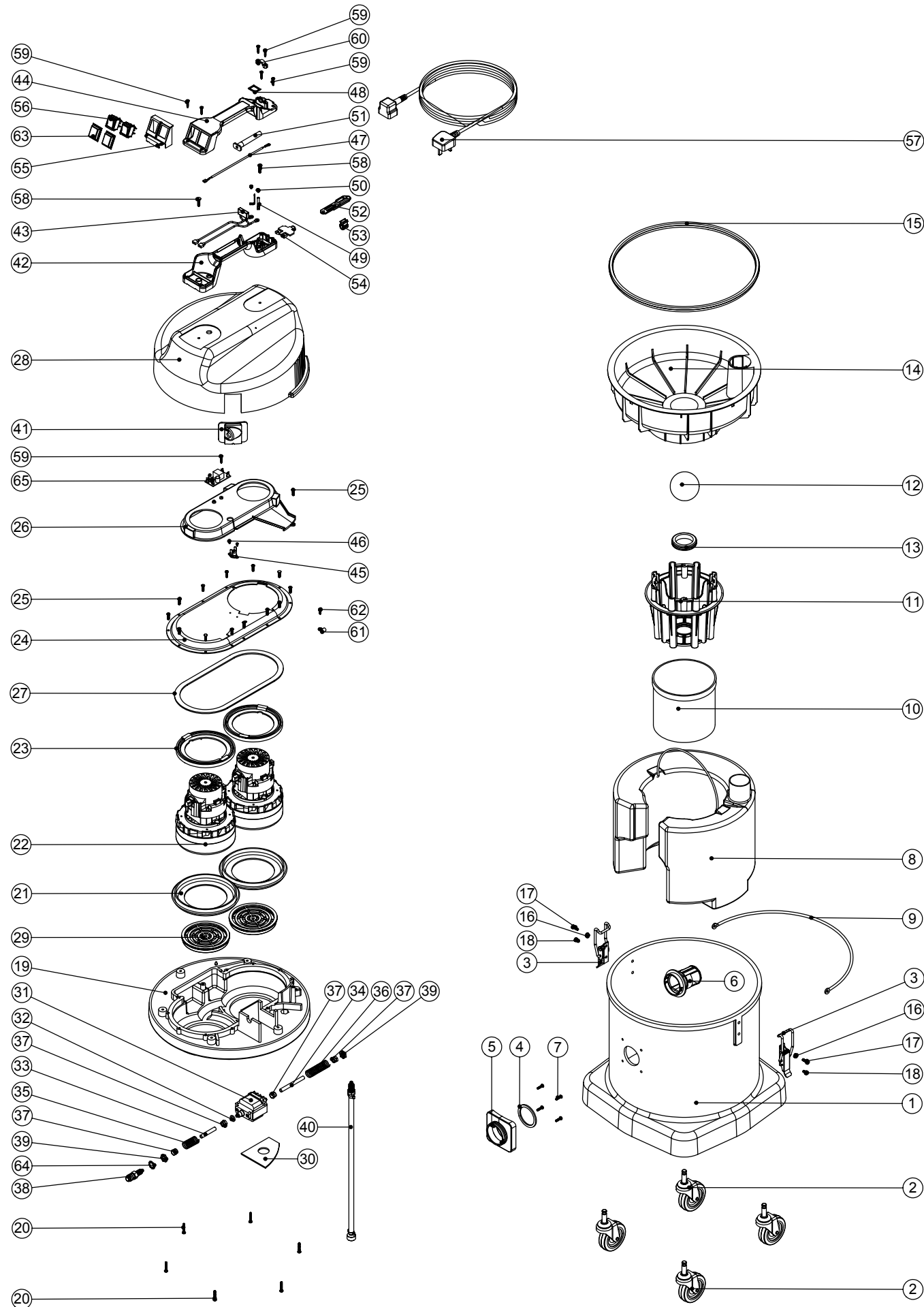


# Numatic International Spare Parts

## Model No: CTD570-2 EXPLODED DRAWING

234361  
DRAWING: EXP-0792 ISS:A01  
08/06/2005



# Numatic International Spare Parts

## Model No: CTD570-2 EXPLODED DRAWING

| POS: | ITEM NO: | DESCRIPTION:   | COMMENTS:         |
|------|----------|--|-------------------|
| 1    | 325449   | BLUE DRUM (PROCESSED)  |                   |
|      | 325450   | RED DRUM (PROCESSED)   |                   |
|      | 325451   | YELLOW DRUM (PROCESSED)                                      |                   |
|      | 325447   | GREY DRUM (PROCESSED)  |                   |
| 2    | 204060   | 3 INCH CASTOR  |                   |
| 3    | 206135   | TOGGLE FASTENER  |                   |
| 4    | 202027   | HOSE FLANGE GASKET   |                   |
| 5    | 270161   | FLANGE NECK BAYONET  |                   |
| 6    | 206493   | WET DRY CONNECTOR  |                   |
| 7    | 219105   | No8 X 5/8 INCH LONG POZI PAN PLASTITE SCREW                  |                   |
| 8    | 325161   | FLUID CONTAINER & HANDLE ASSEMBLY                            |                   |
| 9    | 418512   | BLACK CRANKED BUCKET HANDLE                                  |                   |
| 10   | 207073   | GAUZE FILTER   |                   |
| 11   | 225130   | MOULDED FLOAT CAGE   |                   |
| 12   | 206026   | POLYPROP BALL  |                   |
| 13   | 220235   | FLOAT GROMMET  |                   |
| 14   | 225102   | FLOAT MOULDING   |                   |
| 15   | 202036   | FLOAT MOULD EXTRUSION SEAL                                   |                   |
| 16   | 208025   | SPACER BUCKET HANDLE   |                   |
| 17   | 219045   | M5 X 16MM LONG POZI PAN SEMS SCREW                           |                   |
| 18   | 219047   | M5 X 10MM LONG POZI PAN SEMS SCREW                           |                   |
| 19   | 301046   | PROCESSED BOTTOM MOTOR HOUSING                               |                   |
| 20   | 219369   | No8 X 1 INCH LONG POZI PAN STAINLESS STEEL PLASTITE SCREW    |                   |
| 21   | 202005   | MOTOR BOTTOM GASKET  |                   |
| 22   | 205411   | 240V 2 STAGE D.I BYPASS ACUSTEK MOTOR (BL21104)(MARKED 230V) |                   |
|      | 205410   | 220V 2 STAGE D.I BYPASS ACUSTEK MOTOR (BL21102)(MARKED 230V) |                   |
|      | 205409   | 120V 2 STAGE D.I BYPASS ACUSTEK MOTOR (BL21101)              |                   |
| 23   | 227925   | TOP MOTOR GASKET   |                   |
| 24   | 325526   | TOP MOTOR HOUSING (DUPLEX)                                   |                   |
| 25   | 219370   | No8 X 5/8 INCH LONG PLASTITE STAINLESS STEEL SCREW           |                   |
| 26   | 227928   | 570 AIR SEPERATOR (LAMB BYPASS MOTOR DUPLEX)                 |                   |
| 27   | 202012   | GASKET   |                   |
| 28   | 301049   | PROCESSED COVER MOULDING                                     |                   |
| 29   | 206010   | FAN GUARD  |                   |
| 30   | 202042   | FLOAT SEALING GASKET   |                   |
| 31   | 216147   | PUMP SMALL BORE 220/240V/50HZ                                |                   |
|      | 216142   | PUMP SMALL BORE 110V/50HZ                                    |                   |
| 32   | 219304   | O RING   |                   |
| 33   | 227055   | 48MM LONG BLACK POLYURATHENE TUBE                            |                   |
| 34   | 227056   | 78MM LONG BLACK POLYURATHENE TUBE                            |                   |
| 35   | 219326   | 50MM LONG COMPRESSION SPRING                                 |                   |
| 36   | 219327   | 80MM LG COMPRESSION SPRING                                   |                   |
| 37   | 219299   | BLOCKING NUT   |                   |
| 38   | 216296   | QUICK RELEASE BULK HEAD FITTING                              |                   |
| 39   | 219337   | LOCKNUT  |                   |
| 40   | 303167   | SOLUTION TUBE & FILTER ASSEMBLY                              |                   |
| 41   | 206112   | QUICK RELEASE FIX PLATE                                      |                   |
| 42   | 320686   | HANDLE BASE MOULDING   |                   |
| 43   | 220142   | SUPPRESSOR ASSEMBLY  | 230V VERSION      |
|      | 230234   | SUPPRESSOR ASSEMBLY  | 220V VERSION      |
|      | 220558   | SUPPRESSOR ASSEMBLY  | 110V VERSION      |
| 44   | 227624   | HANDLE COVER   |                   |
|      | 227627   | HANDLE COVER HARD WIRE 2 SWITCH                              | HARDWIRED VERSION |
| 45   | 220532   | THERMOSTAT   |                   |
| 46   | 219491   | M5 X 3MM LONG POZI PAN TAPTITE SCREW                         |                   |
| 47   | 320830   | DIODE ASSEMBLY   |                   |
| 48   | 202000   | TERMINAL GASKET  |                   |
| 49   | 206562   | CONTACT PIN  |                   |
| 50   | 219090   | M4 X 8MM LONG POZI PAN SEMS SCREW                            |                   |
| 51   | 220923   | STRESS RELIEF  |                   |
| 52   | 227636   | STRAIN RELIEF  |                   |
| 53   | 227637   | CABLE CLIP   |                   |
| 54   | 227632   | TERMINAL COVER & CLAMP                                       |                   |
| 55   | 227629   | SWITCH MOUNTING BRACKET                                      |                   |
| 56   | 220843   | BLUE ROCKER SWITCH   |                   |
| 57   | 236009   | 10.0M X 1.00MM X 2 CORE NUCABLE (UK PLUG)                    |                   |
|      | 236013   | 10.0M X 1.00MM X 2 CORE NUCABLE (EURO PLUG)                  |                   |
|      | 236017   | 10.0M X 1.00MM X 2 CORE NUCABLE (SWISS PLUG)                 |                   |
|      | 236021   | 10.0M X 1.00MM X 2 CORE NUCABLE (SOUTH AFRICAN PLUG)         |                   |
|      | 236029   | 10.0M X 1.00MM X 2 CORE NUCABLE (AUSTRALIAN PLUG)            |                   |
|      | 236065   | 10M X 2CORE X 2.5MM CABLE PLUS 32AMP INDUSTRIAL PLUG         | HARDWIRED VERSION |
| 58   | 219546   | M5 X 20MM LONG POZI PAN SEMS SCREW                           |                   |
| 59   | 219107   | No6 X 5/8 INCH LONG POZI PAN PLASTITE SCREW                  |                   |
| 60   | 227564   | PLUG LOCATION CLAMP  |                   |
| 61   | 226050   | CABLE CLAMP (WHITE P CLIP)                                   |                   |
| 62   | 219471   | M4 X 12MM LONG POZI PAN SEMS SCREW                           |                   |
| 63   | 206573   | SWITCH COVER (PLUG HANDLE)                                   |                   |
| 64   | 219290   | M12 SHAKEPROOF WASHER  |                   |
| 65   | 220555   | 230V DELAY START MODULE                                      |                   |
|      | 220556   | 115V DELAY START MODULE                                      |                   |